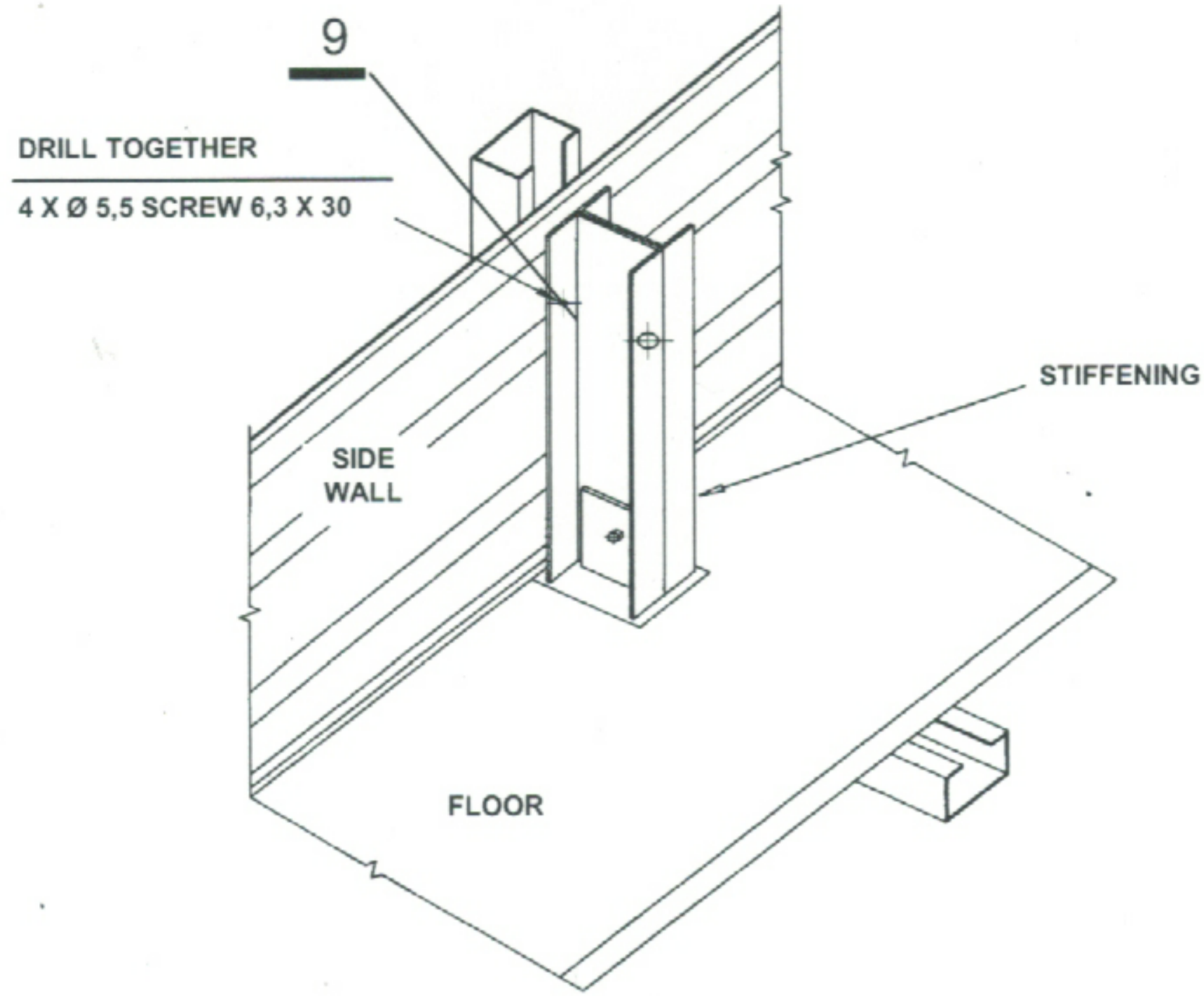
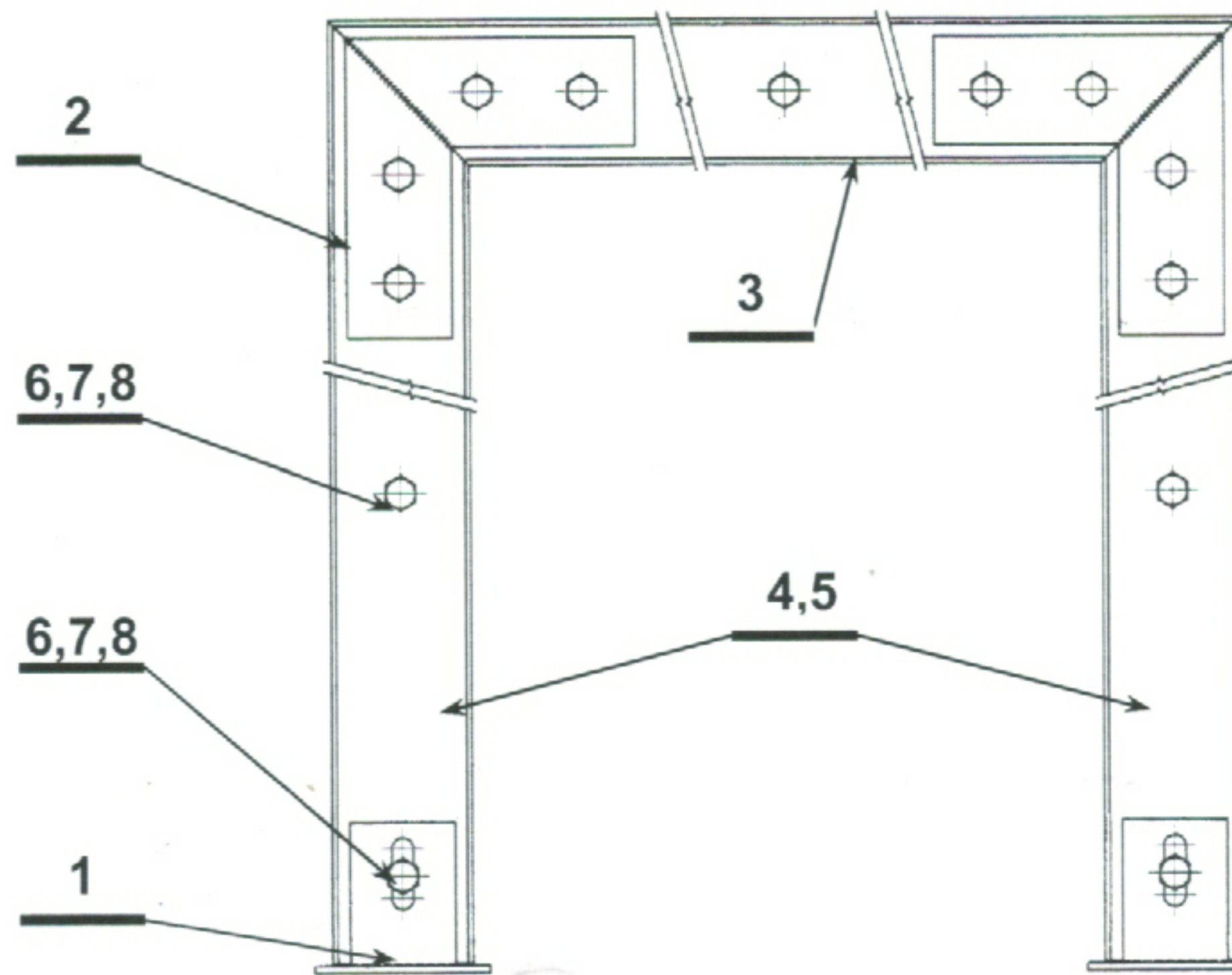


QUICKSTORE DEMOUNTABLE CONTAINER KOVOBEL

12.4 Roof Stiffening



Picture no. 17



Parts for roof stiffening

POSITION	NAME	ORDER NUMBER	NUMBER OF PIECES FOR CONTAINER				
			2m	3m	4m	5m	6m
1	Foot	02352	2	2	4	6	6
2	Corner	02353	4	4	8	12	12
3	Beam	02354	2	2	4	6	6
4	Beam I	02355	2	2	4	6	6
5	Beam II	02356	2	2	4	6	6
6	Bolt M12*30	213600	13	13	26	39	39
7	Nut M12	290700	13	13	26	39	39
8	Washer 13	310900	13	13	26	39	39
9	Screw 6,3*30	285900	4	4	8	12	12